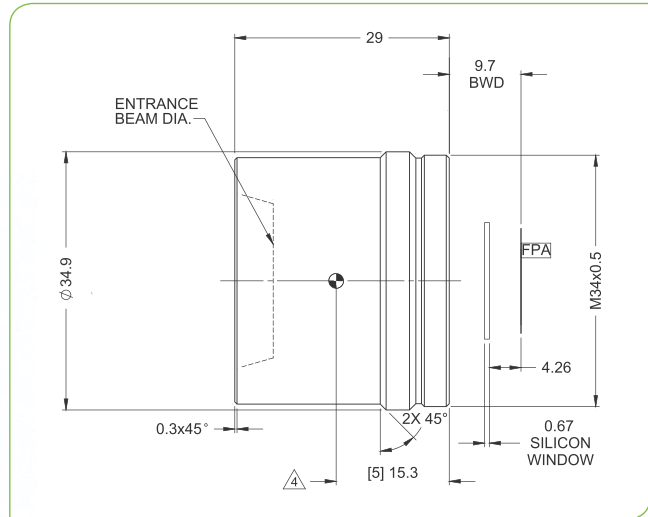


SupIR 25mm f/1.2, Fixed Athermalized 680108

TYPICAL ICD*



HD
FORMAT



HFOV	320x240	384x288	640x480	1024x768
17μ	12.4°	14.9°	24.8°	
12μ	8.7°	10.5°	17.5°	27.9°

Property	Value				
Optical					
Focal Length	25mm				
F#	1.2				
Average transmission (8-12μm)	94% (HD)				
Back Focal Length	17.99mm in air				
Mechanical					
Focus Mechanism	Fixed				
Depth of Field	25m to infinity				
Focus Range	0.5m to infinity				
Weight	52gr				
Max. Dimensions	Ø34.9mm x 29.0mm				
Environmental					
Operation Temperature	-40°C to +80°C				
Storage Temperature	-55°C to +85°C				
Sealing	IP 67 front element only				
Configurations	Weight (gr)	Dimensions	BWD**	Thread	Coating
680108-001	52	Ø34.9mm x 29.0mm	9.7	M34x0.5	HD
680108-002					HC

* The ICD drawing provided here is primarily a representation and may not accurately reflect the product's actual dimensions and specifications. For precise integration specifications contact your local sales representative.

** The BWD value is calculated for a unique detector setup with varying sealing windows in terms of thickness and material. For more details, contact your local sales representative.